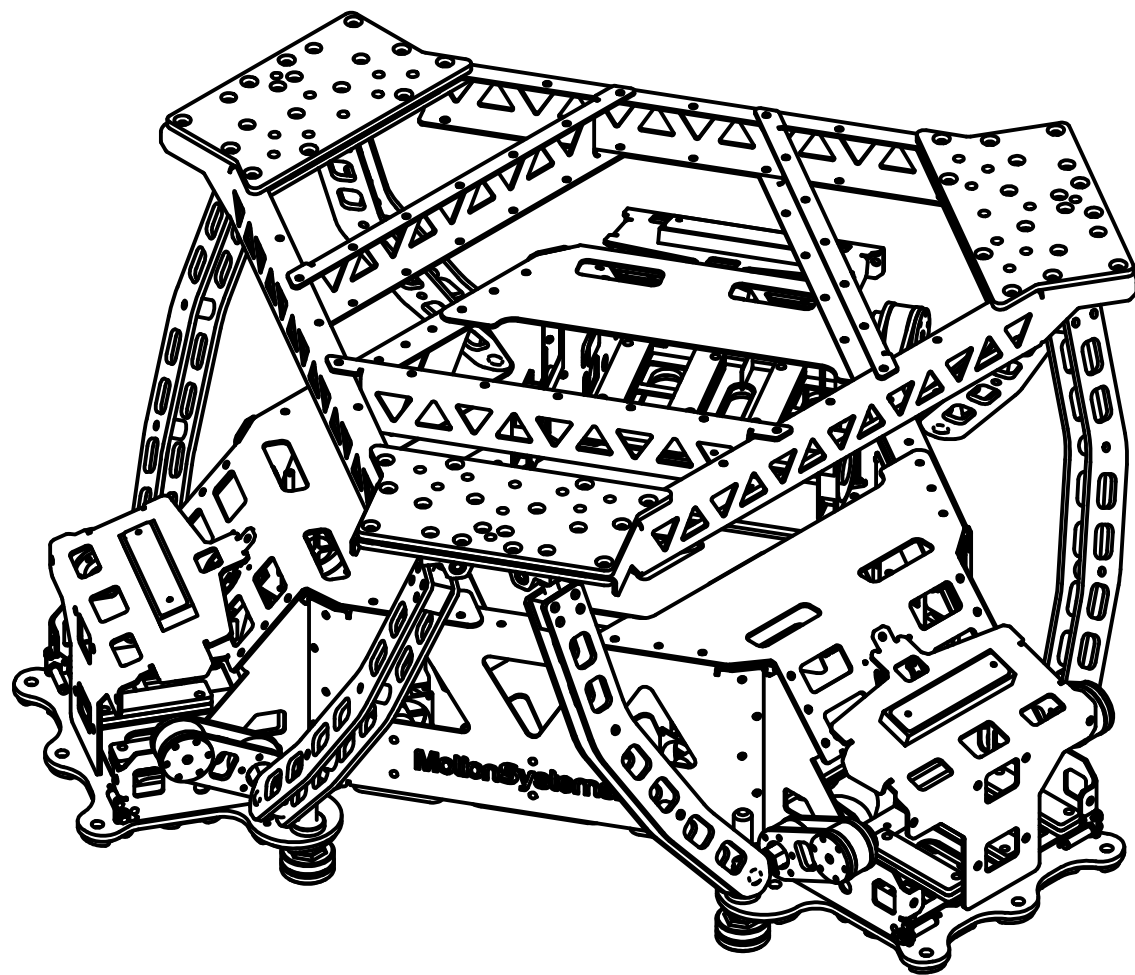


# Motion Systems

## Technical documentation of PS-6TM-550 General Dimensions

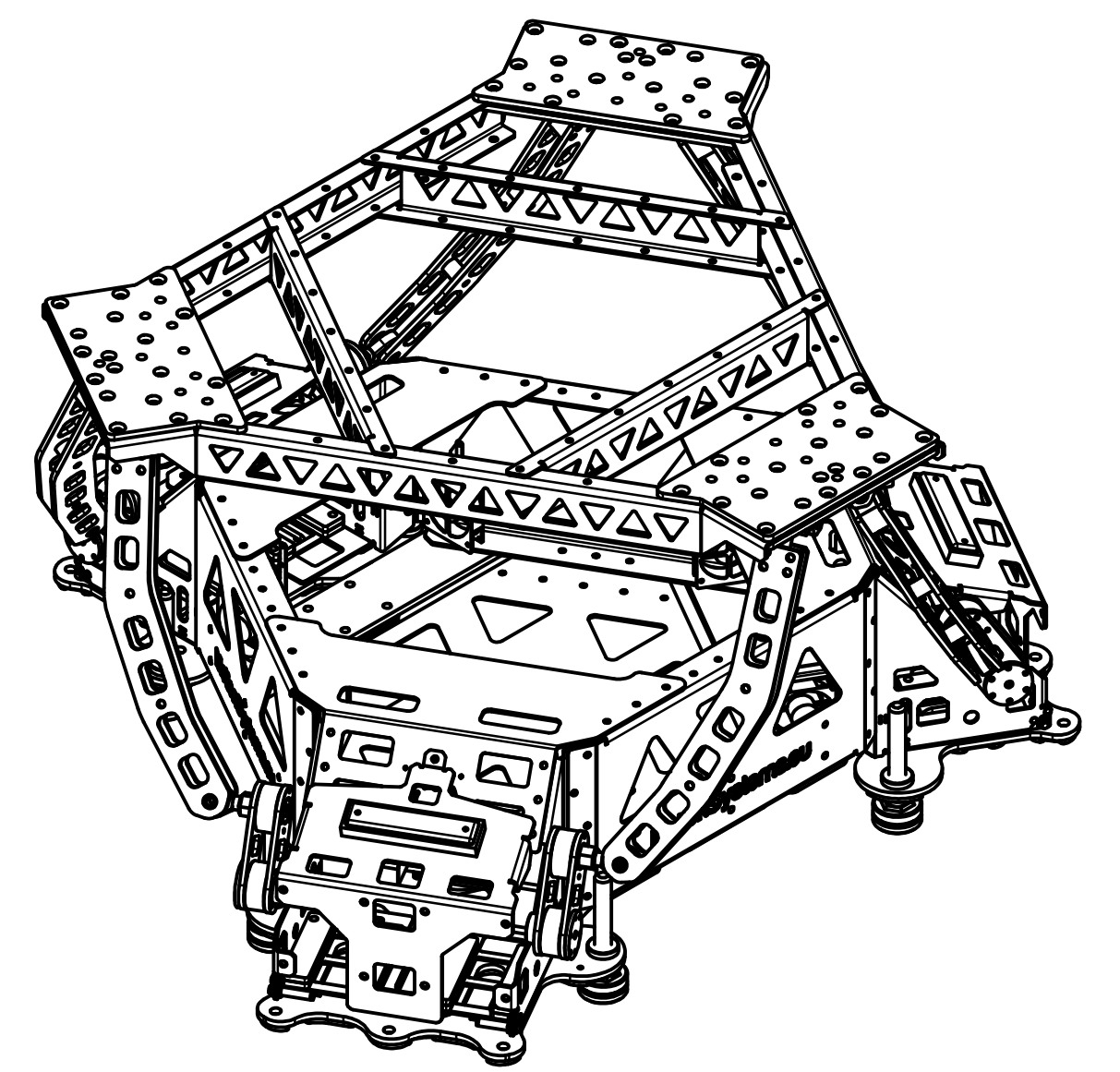
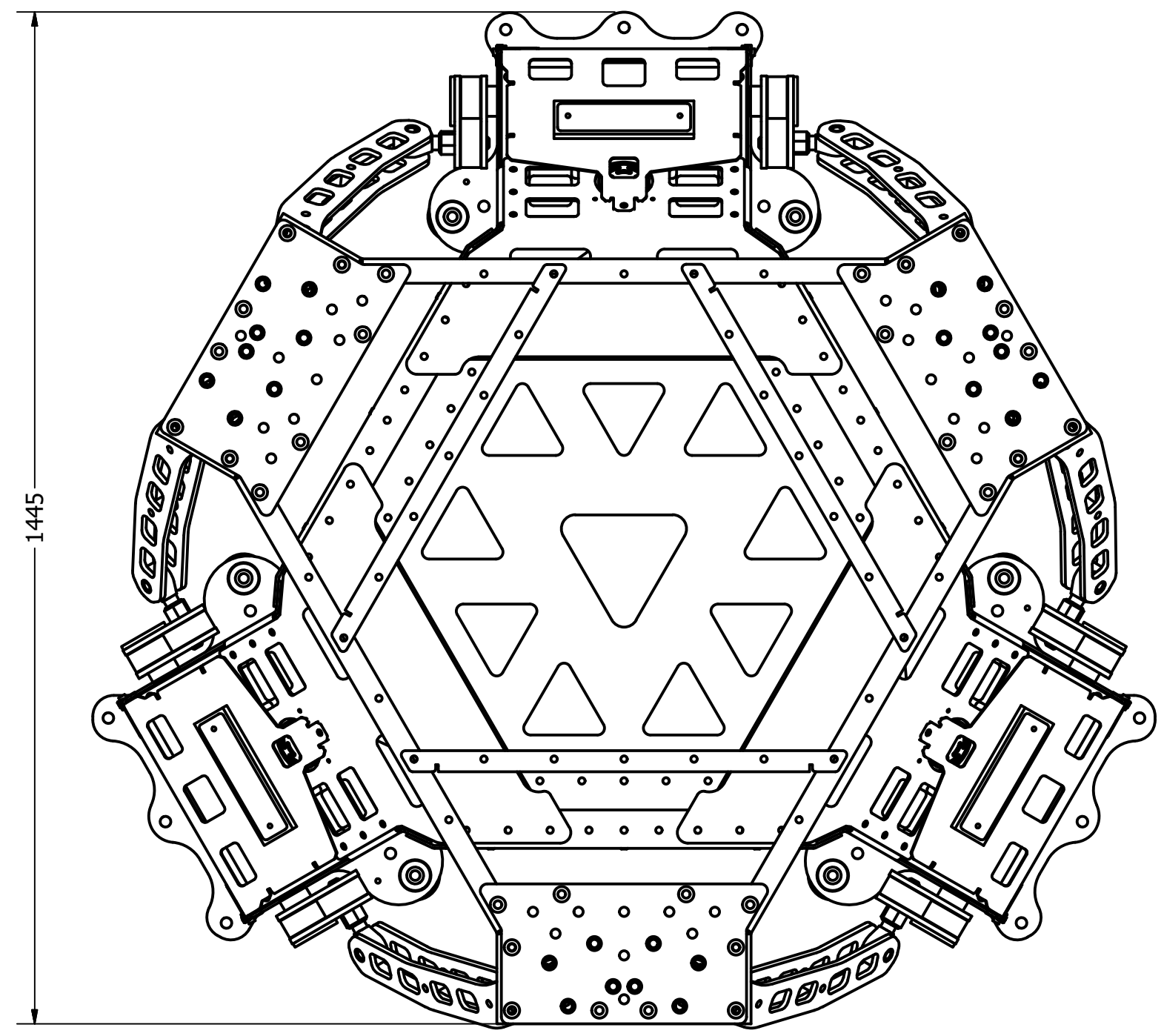
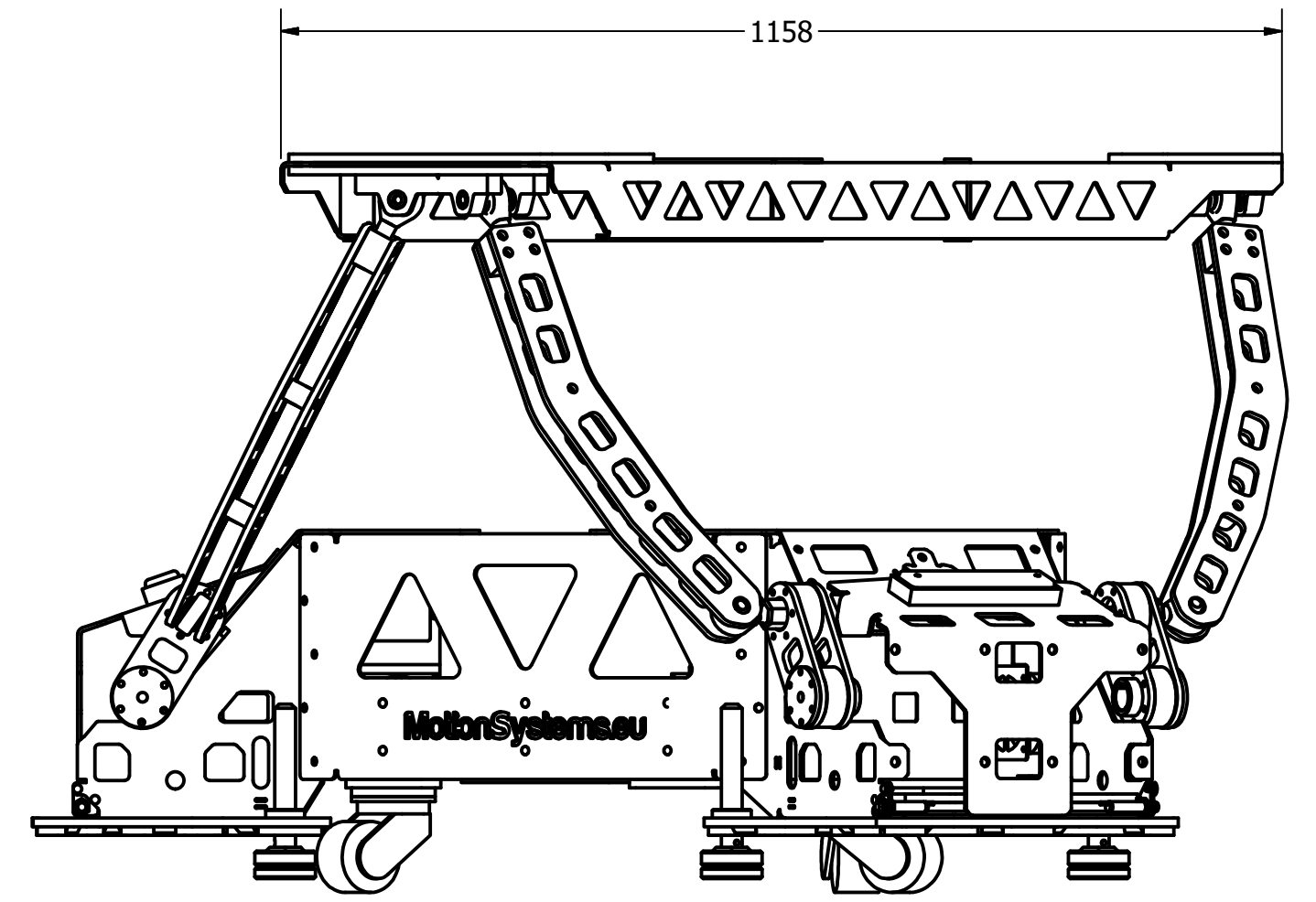
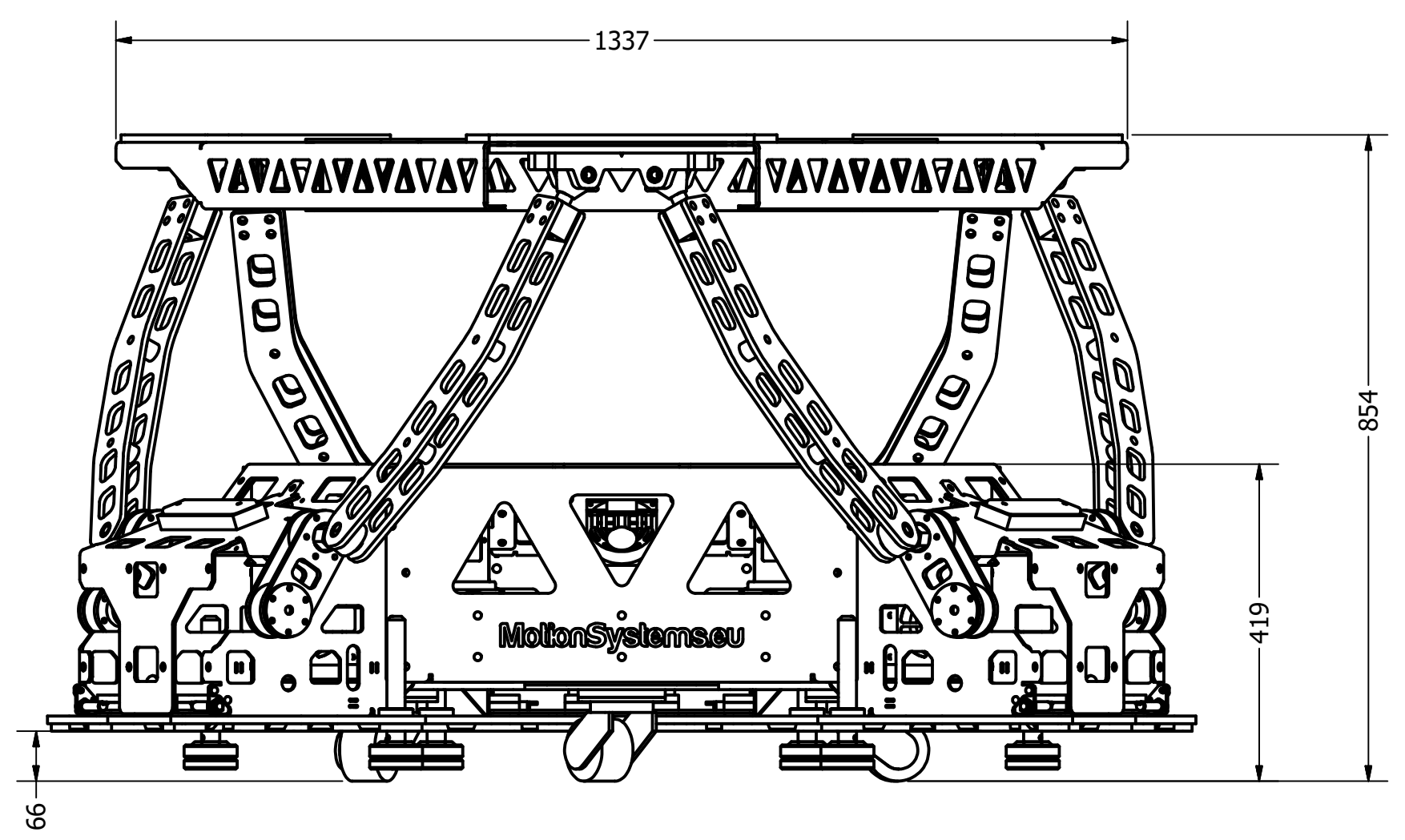



### **RESERVED AND CONFIDENTIAL**

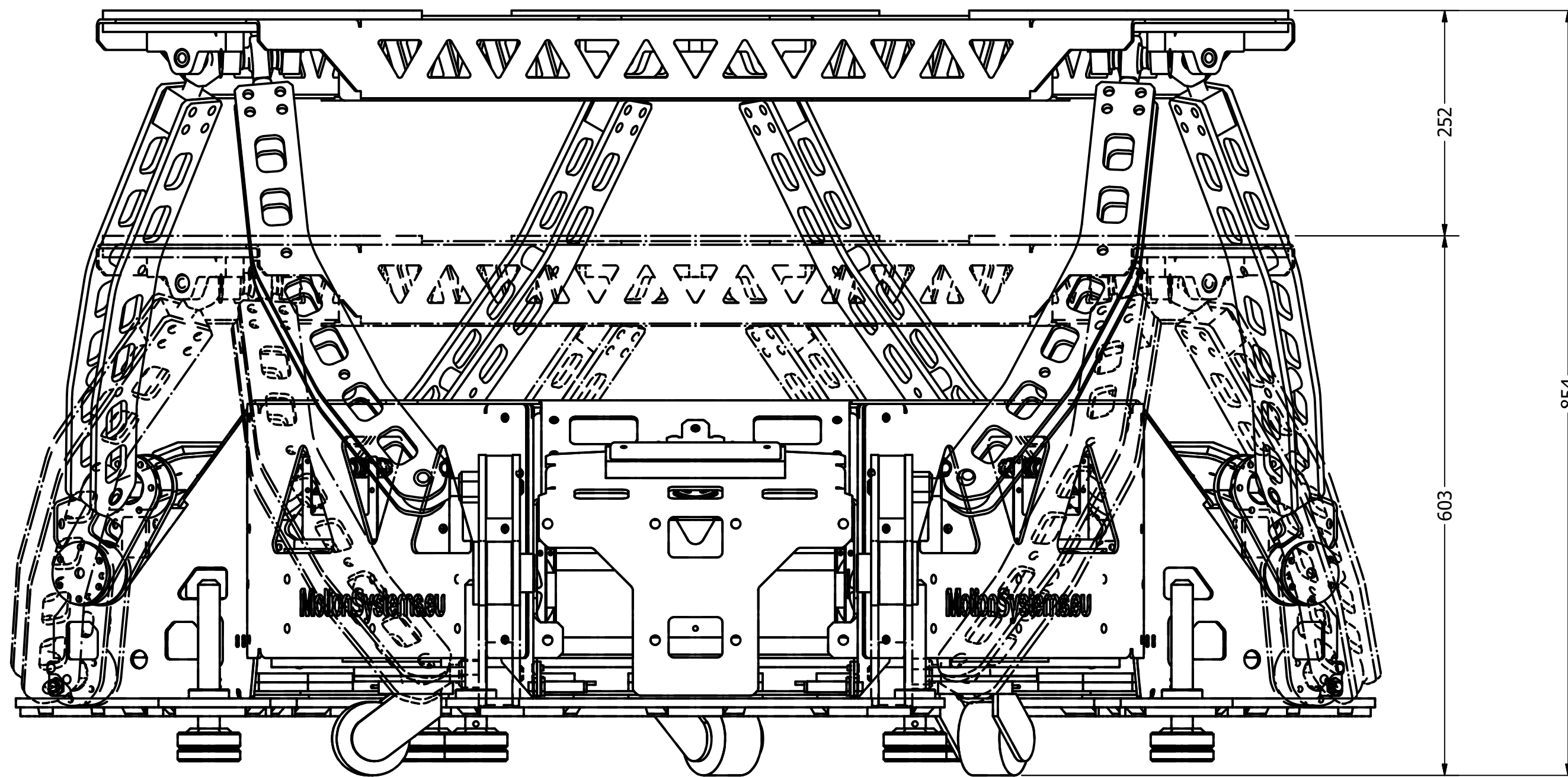
THE INFORMATION CONTAINED IN THIS DOCUMENTATION IS PROPERTY OF MOTION SYSTEMS COMPANY. ANY REPRODUCTION OF PARTS OR WHOLE WITHOUT WRITTEN PERMISSION IS PROHIBITED.


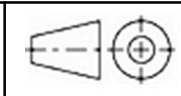
### **ZATRZEŻONE I POUFNE**

INFORMACJE ZAWARTE W TEJ DOKUMENTACJI SĄ WŁASNOŚCIĄ FIRMY MOTION SYSTEMS. WSZELKIE REPRODUKCJE CZĘŚCI LUB CAŁOŚCI BEZ PISEMNEJ ZGODY SĄ ZABRONIONE.

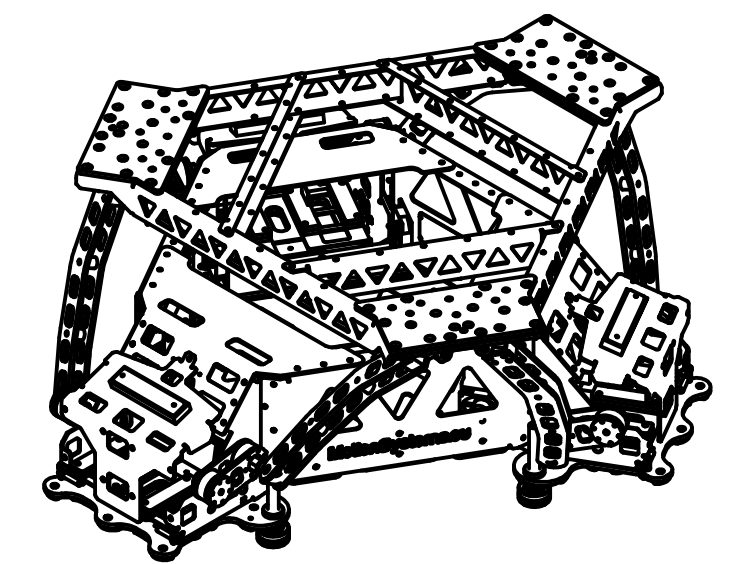
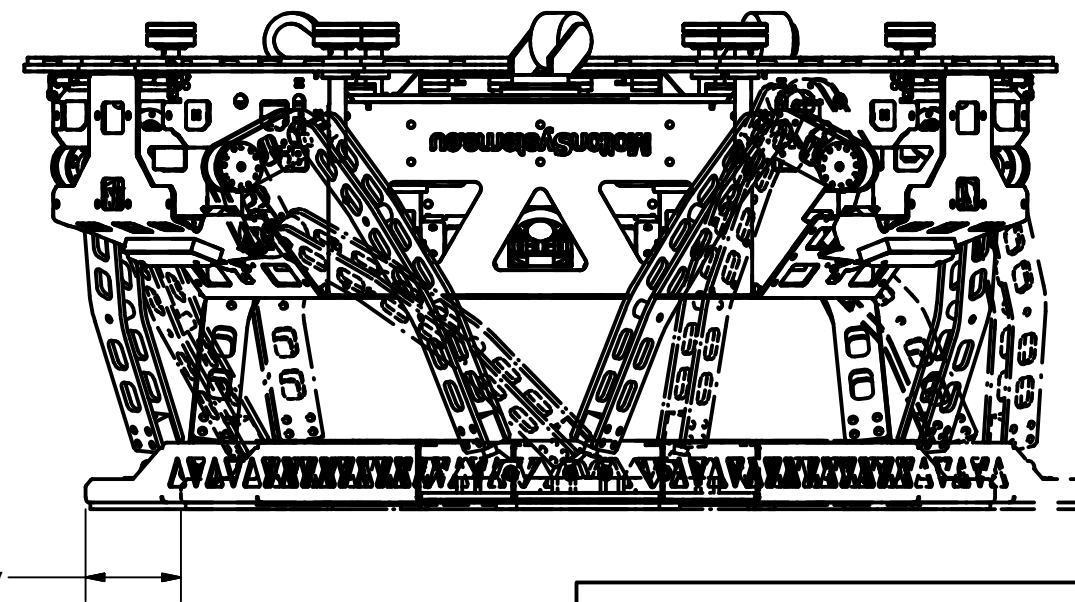
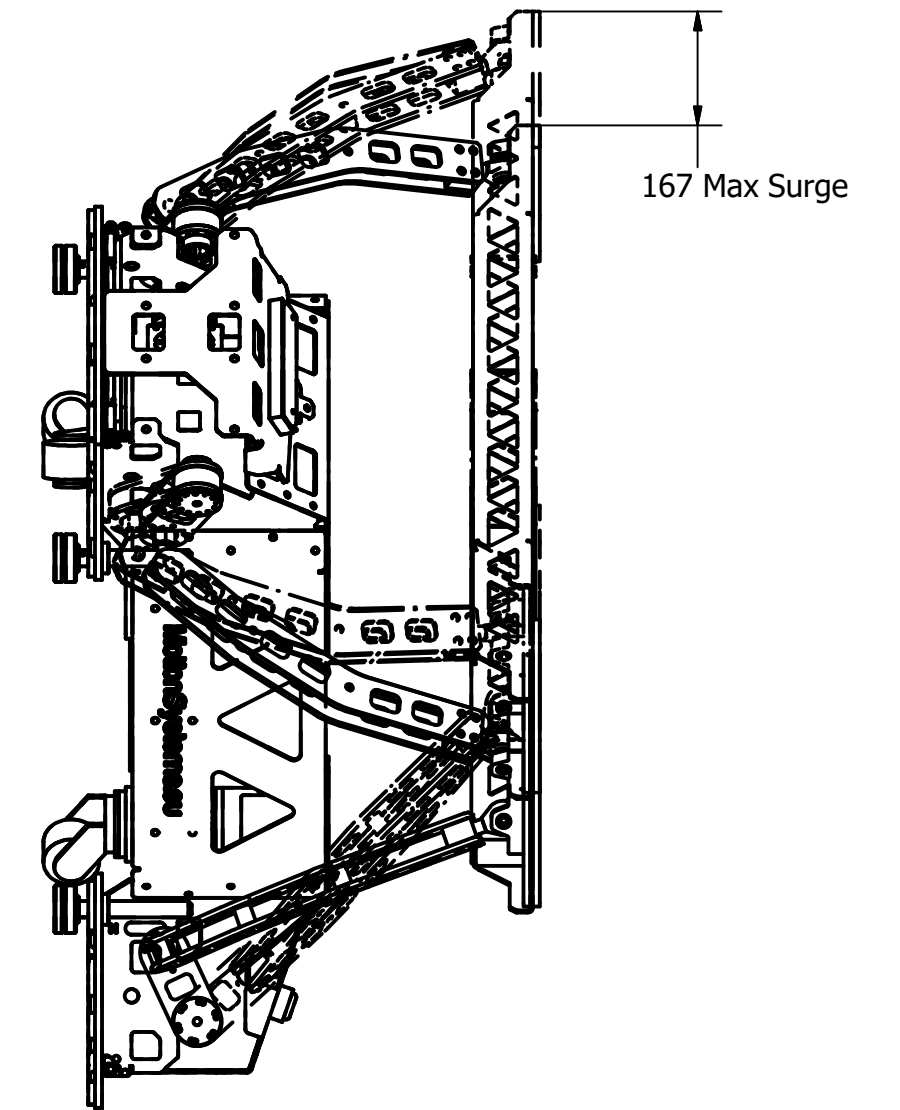
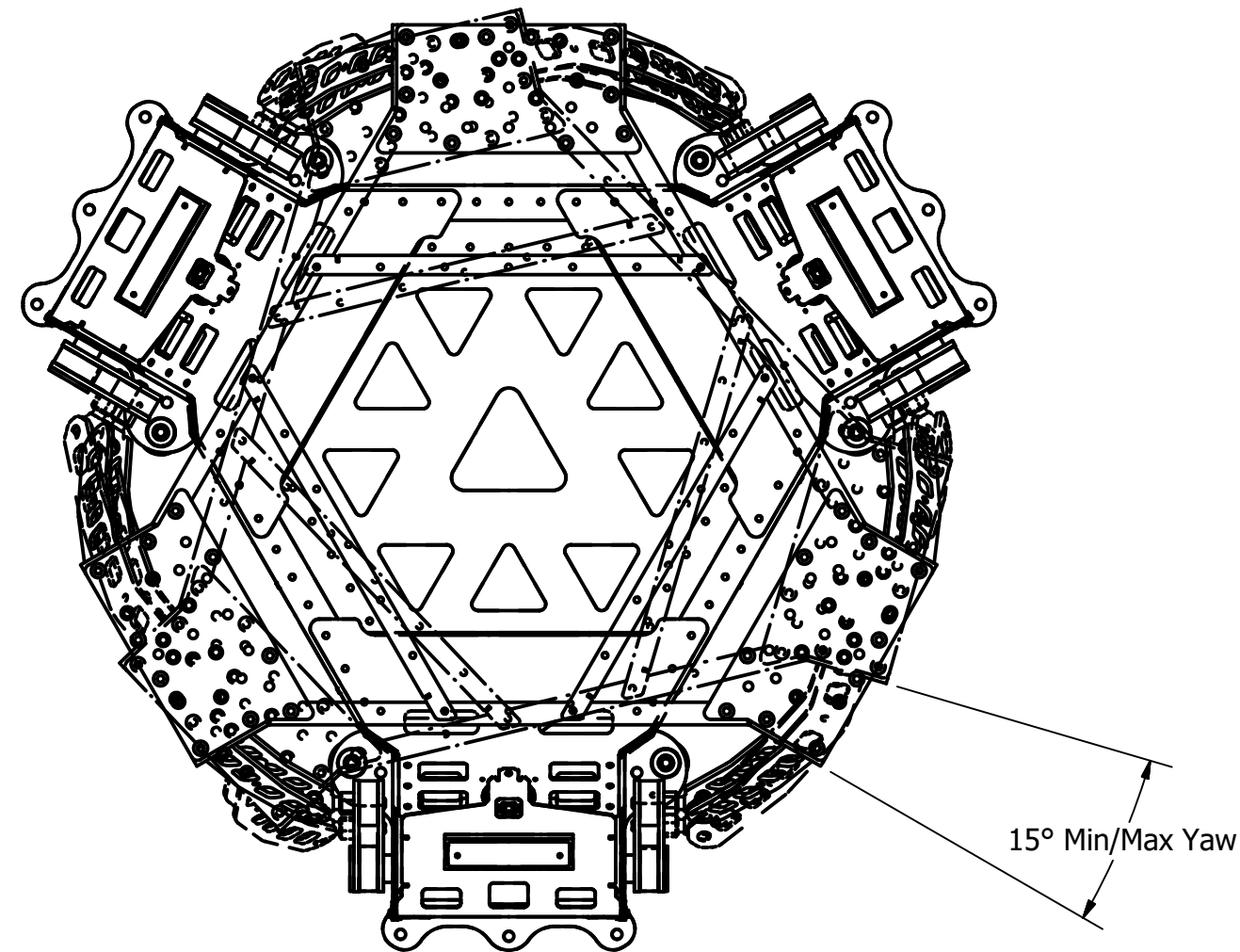
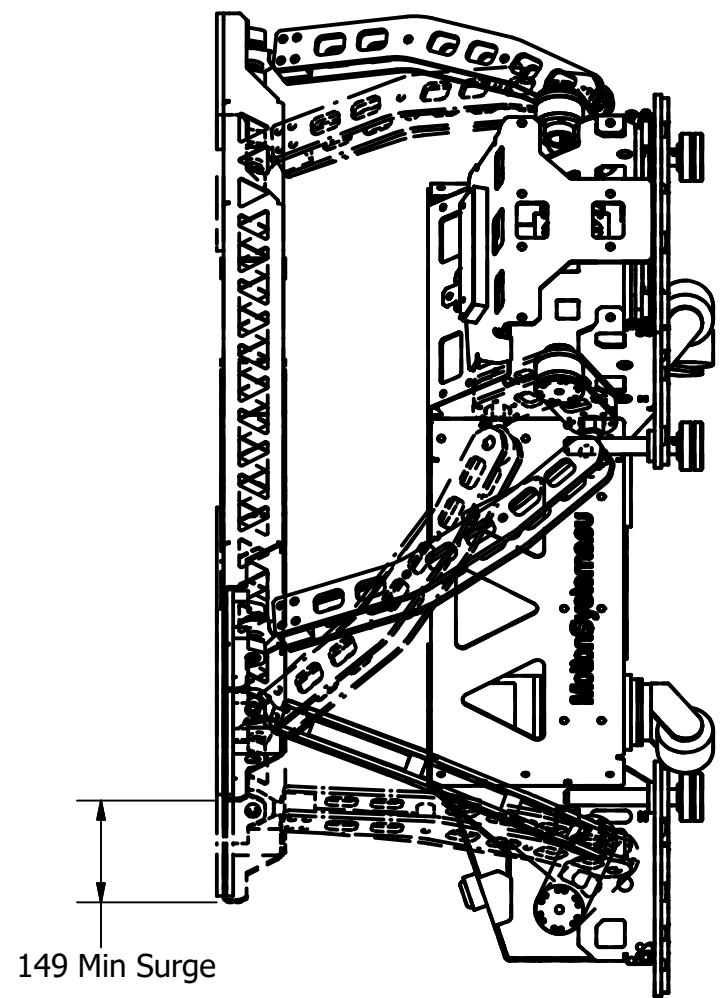
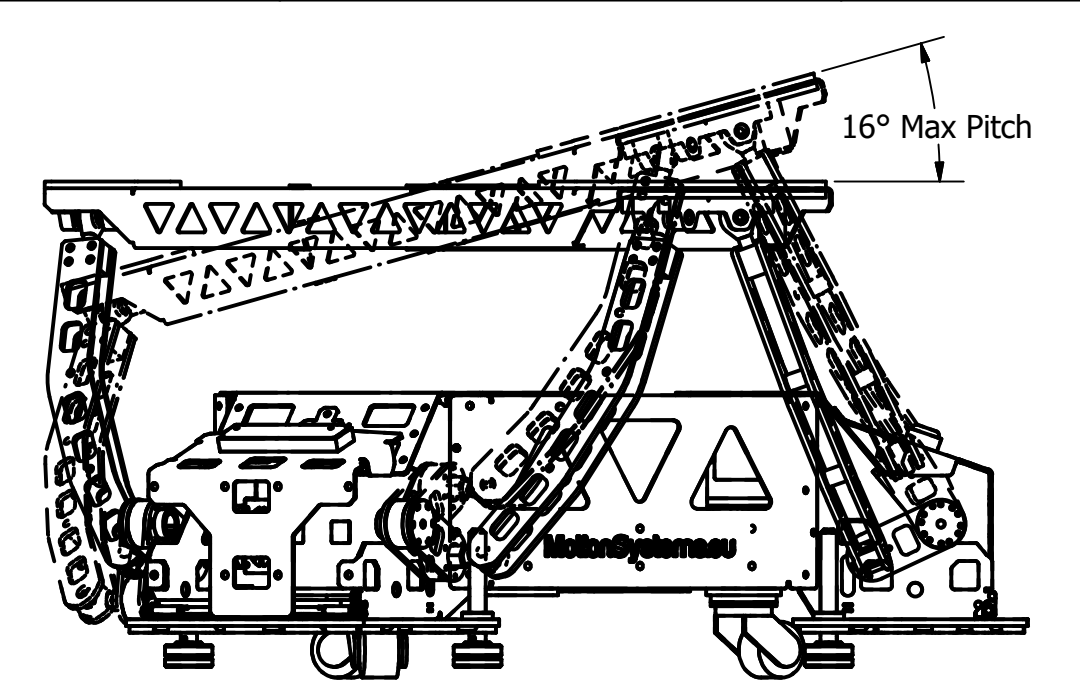
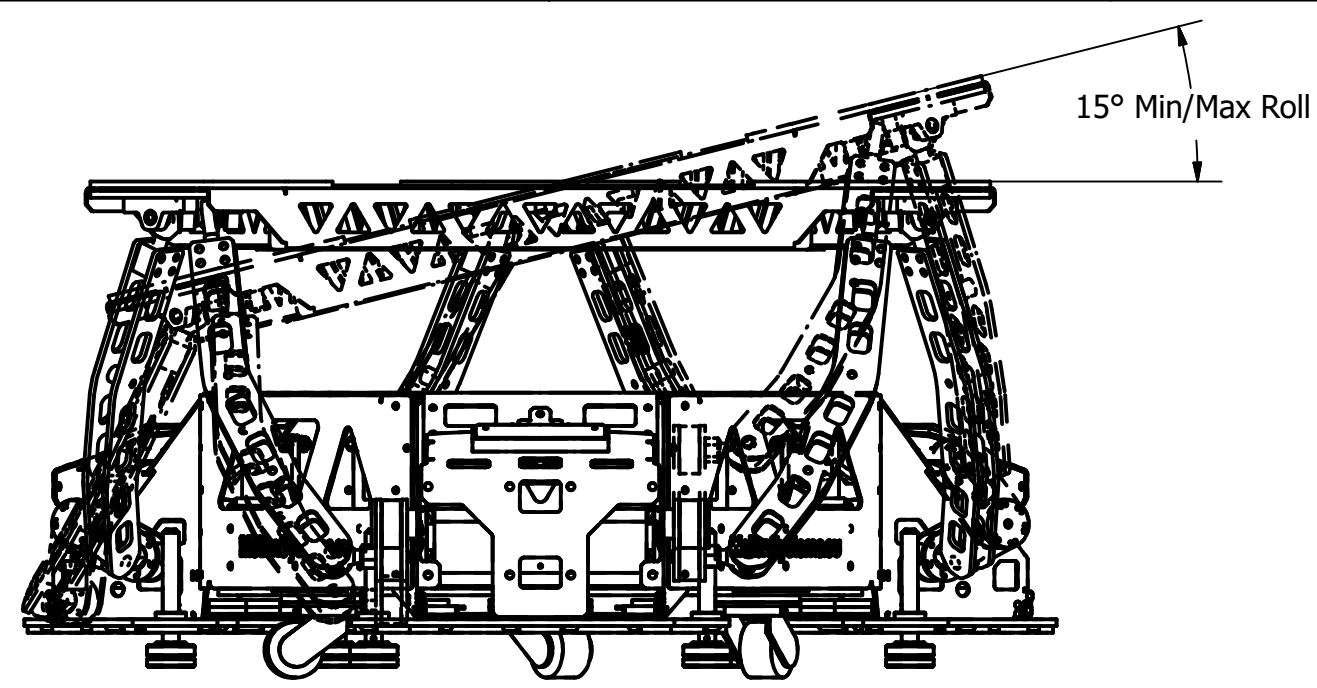
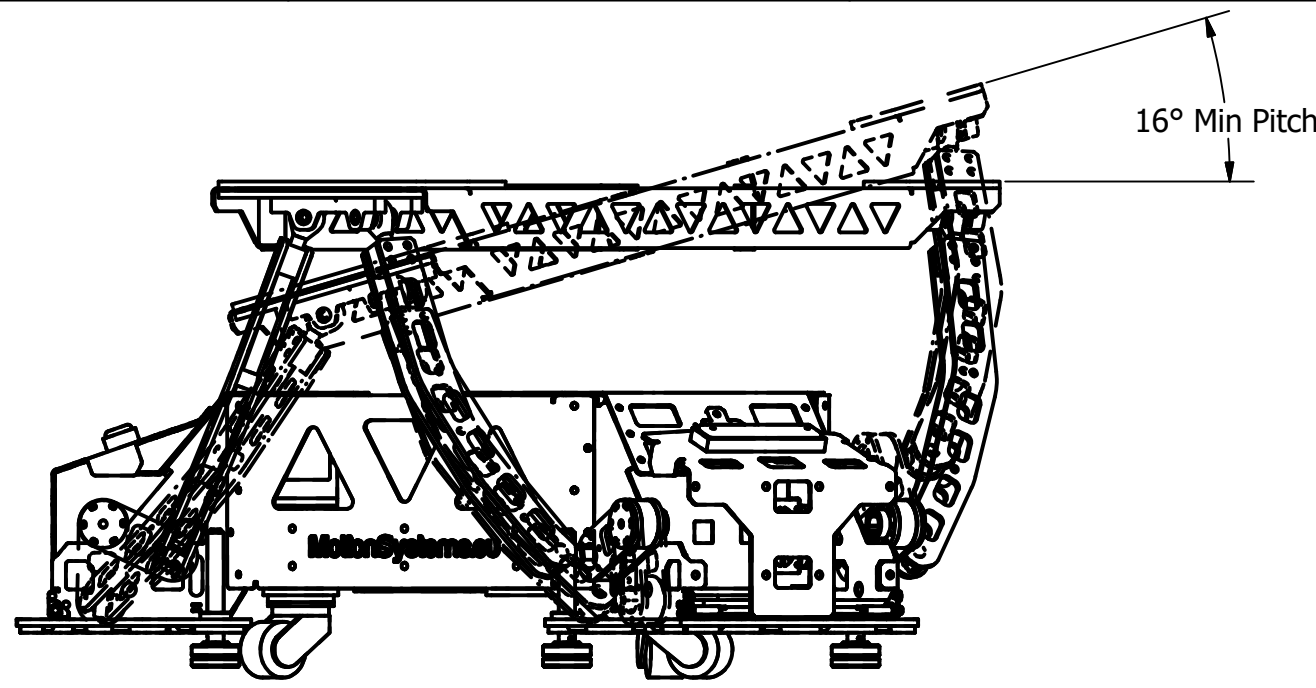


<b>Obróbka</b>	DRAWN BY:	Michał Stanek	 Motion Systems ul. Duńska 13, 45-427 Wrocław, Polska www.motionSystems.eu		
	CREATED ON:	18.04.2016			
	TOLERANCE: <small>for non tolerated dimensions</small>	Linear: IT13 (PN-ISO 286) Non linear: H14/h14			
<b>Dodatkowe uwagi</b>	WEIGHT: <small>of one element</small>	Nie dotyczy	TITLE		
	MATERIAL:		<b>PS-6TM-550</b>		
	MATERIAL TYPE:		<b>General Dimensions</b>		
	QUANTITY: <small>per single design</small>		@MAIN-PS6TM-550v3.iam		
			SIZE	DWG NO	REV
			A2	gDim-Ps-6TM-550	
			SCALE 1:8	SHEET 2 OF 6	

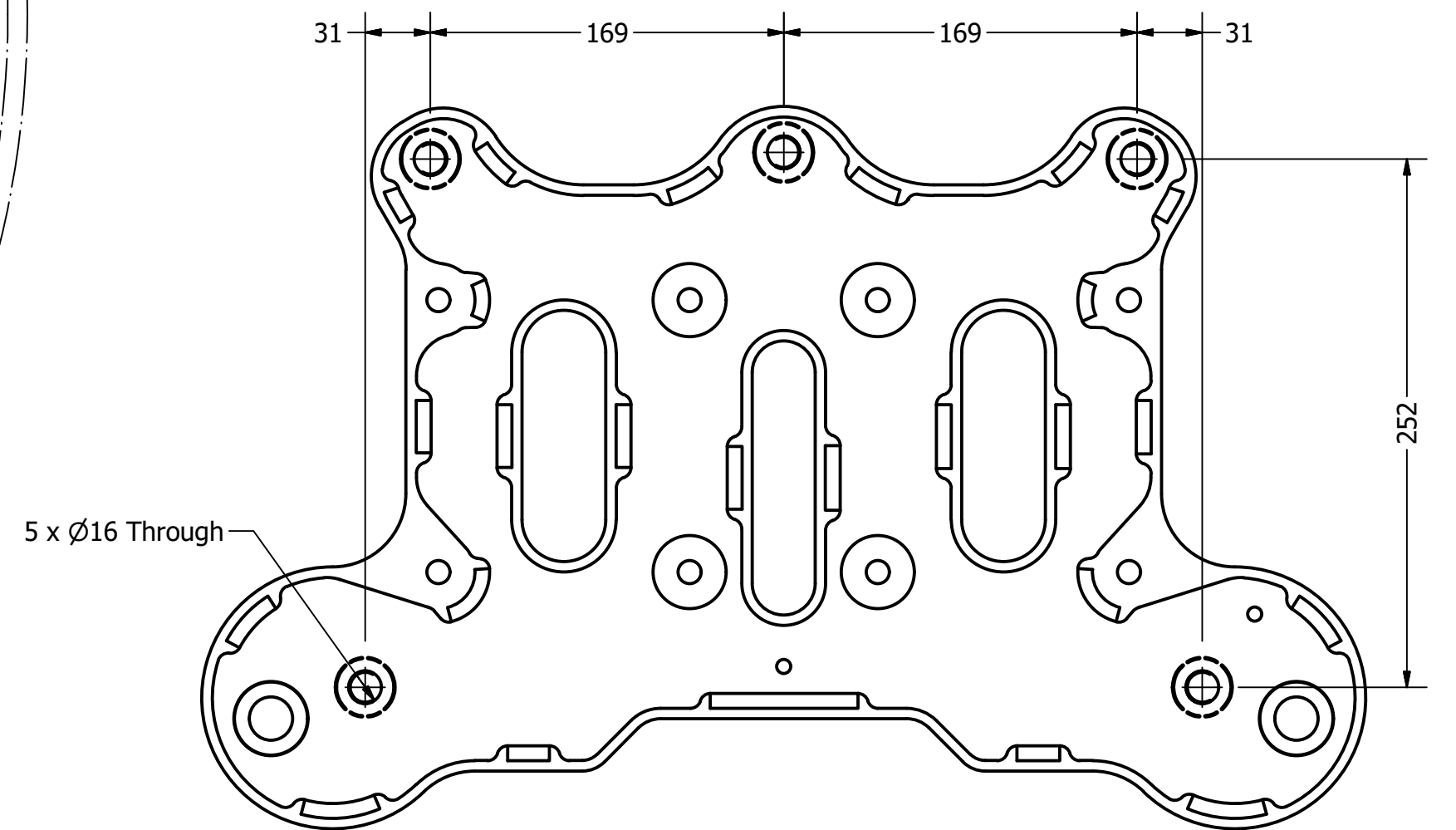
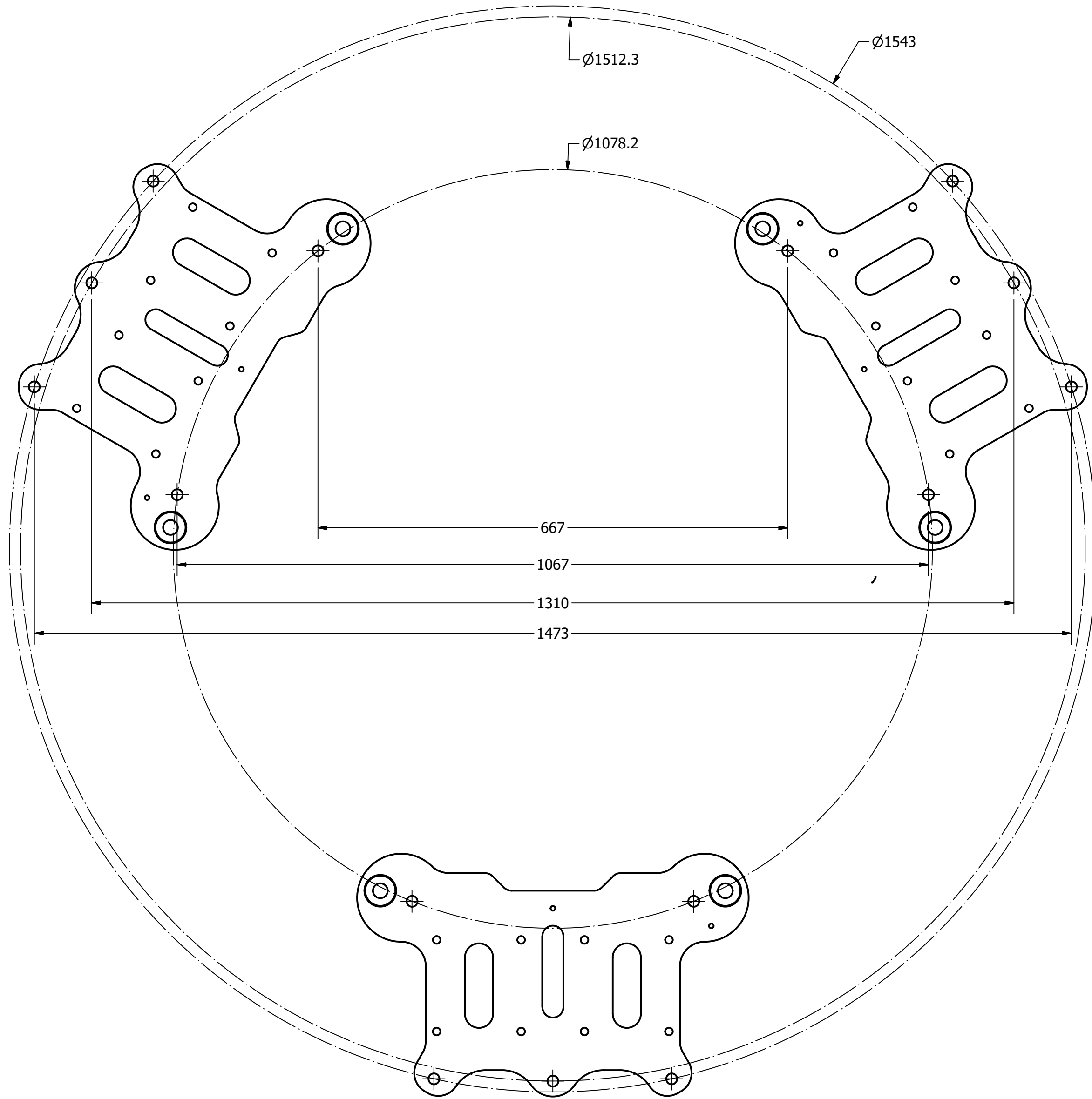



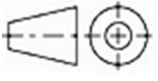
<b>Obróbka</b>	DRAWN BY:	Michał Stanek	 Motion Systems ul. Duńska 13, 45-427 Wrocław, Polska www.motionSystems.eu
	CREATED ON:	18.04.2016	
	TOLERANCE: <small>for non tolerated dimensions</small>	Linear: IT13 (PN-ISO 286) Non linear: H14/h14	
<b>Dodatkowe uwagi</b>	WEIGHT: <small>of one element</small>	Nie dotyczy	TITLE
	MATERIAL:		<b>PS-6TM-550</b> <b>Heave Motion</b>
	MATERIAL TYPE:		@MAIN-PS6TM-550v3.iam
	QUANTITY: <small>per single drawing</small>		SIZE <b>A2</b>  DWG NO <b>gDim-Ps-6TM-550</b>
			SCALE 1:5 REV SHEET 3 OF 6

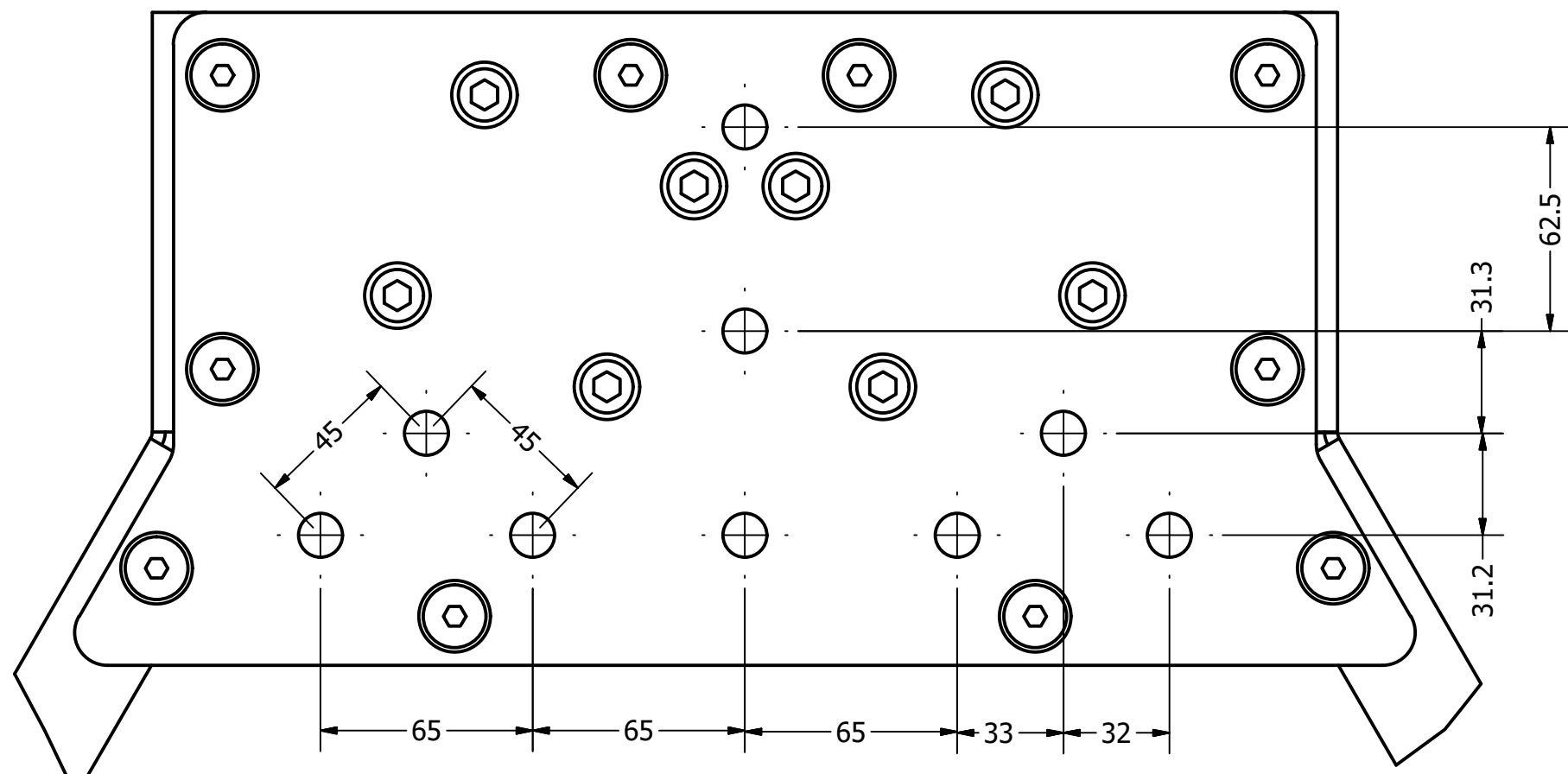




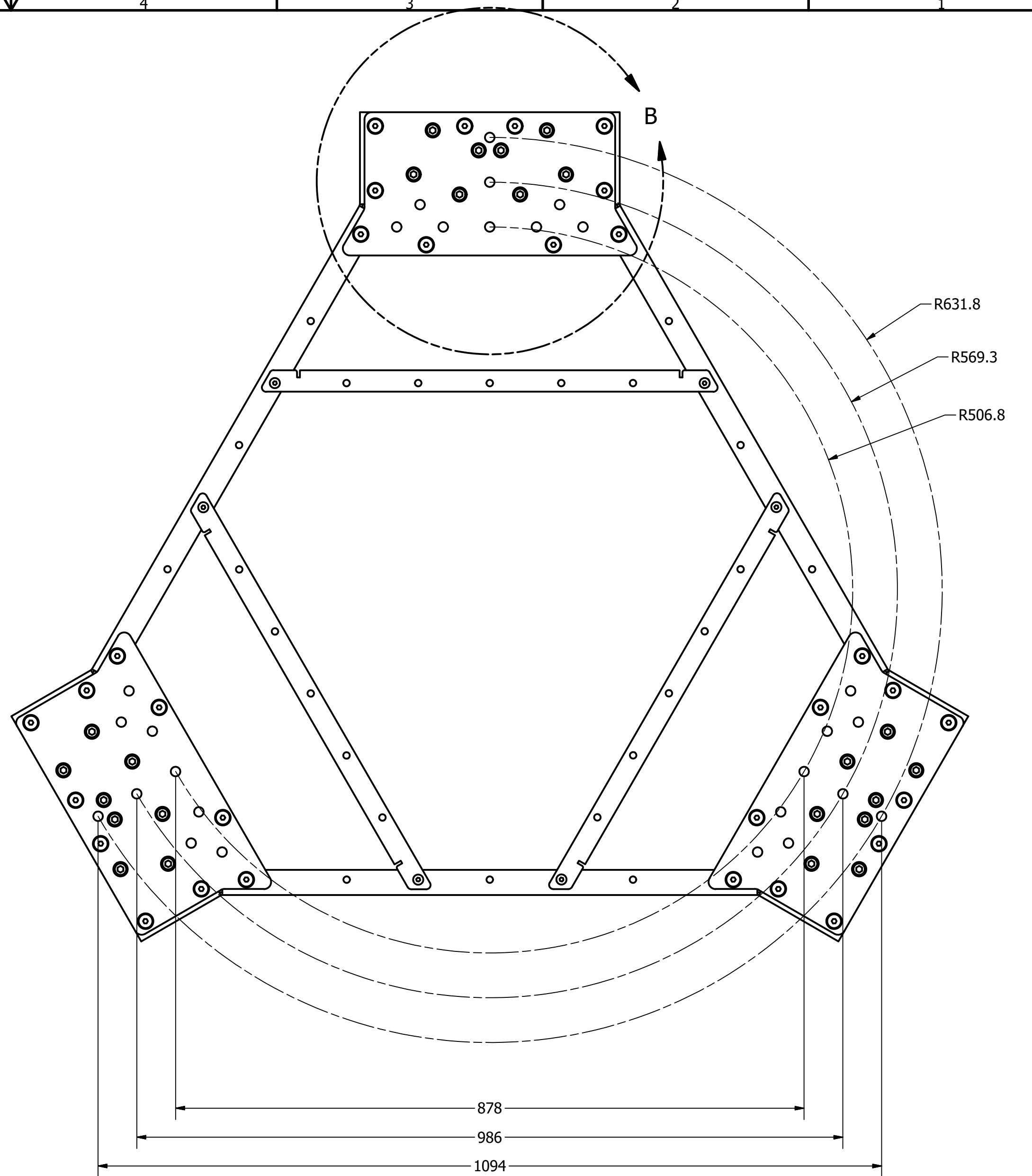
<b>Obróbka</b>	DRAWN BY:	Michał Stanek	<b>MotionSystems</b> Motion Systems ul. Duńska 13, 45-427 Wrocław, Polska www.motionSystems.eu
	CREATED ON:	18.04.2016	
<b>Dodatkowe uwagi</b>	TOLERANCE: <small>for non tolerated dimensions</small>	Linear: IT13 (PN-ISO 286) Non linear: H14/h14	TITLE
	WEIGHT: <small>of one element</small>	Nie dotyczy	<b>PS-6TM-550</b> <b>Independant Movement Combination</b>
	MATERIAL:		@MAIN-PS6TM-550v3.iam
	MATERIAL TYPE:		SIZE  DWG NO <b>gDim-Ps-6TM-550</b> REV
QUANTITY: <small>per single design</small>		SCALE 0,09 : 1	SHEET 4 OF 6




<b>Obróbka</b>	DRAWN BY:	Michał Stanek	 Motion Systems ul. Duńska 13, 45-427 Wrocław, Polska www.motionSystems.eu
	CREATED ON:	18.04.2016	
	TOLERANCE: <small>for non tolerated dimensions</small>	Linear: IT13 (PN-ISO 286) Non linear: H14/h14	
<b>Dodatkowe uwagi</b>	WEIGHT: <small>of one element</small>	Nie dotyczy	TITLE
	MATERIAL:		<b>PS-6TM-550</b> <b>Ground Anchoring Points</b>
	MATERIAL TYPE:		@MAIN-PS6TM-550v3.iam
	QUANTITY: <small>per single drawing</small>		SIZE <b>A2</b>  DWG NO <b>gDim-Ps-6TM-550</b>
			SCALE 1:5 REV SHEET 5 OF 6



SZCZEGÓŁ B  
SKALA 1:2



<b>Obróbka</b>	DRAWN BY:	Michał Stanek	 Motion Systems ul. Duńska 13, 45-427 Wrocław, Polska www.motionSystems.eu
	CREATED ON:	18.04.2016	
	TOLERANCE: <small>for non tolerated dimensions</small>	Linear: IT13 (PN-ISO 286) Non linear: H14/h14	
<b>Dodatkowe uwagi</b>	WEIGHT: <small>of one element</small>	63,545 kg	TITLE
	MATERIAL:		<b>PS-6TM-550</b>
	MATERIAL TYPE:		<b>Upper Frame Attach Points</b>
	QUANTITY: <small>per single design</small>		ps-3tm-250-frameUP-ASM.iam
			SIZE
			A2
			DWG NO
			gDim-Ps-6TM-550
			SCALE
			1:5
			SHEET 6 OF 6