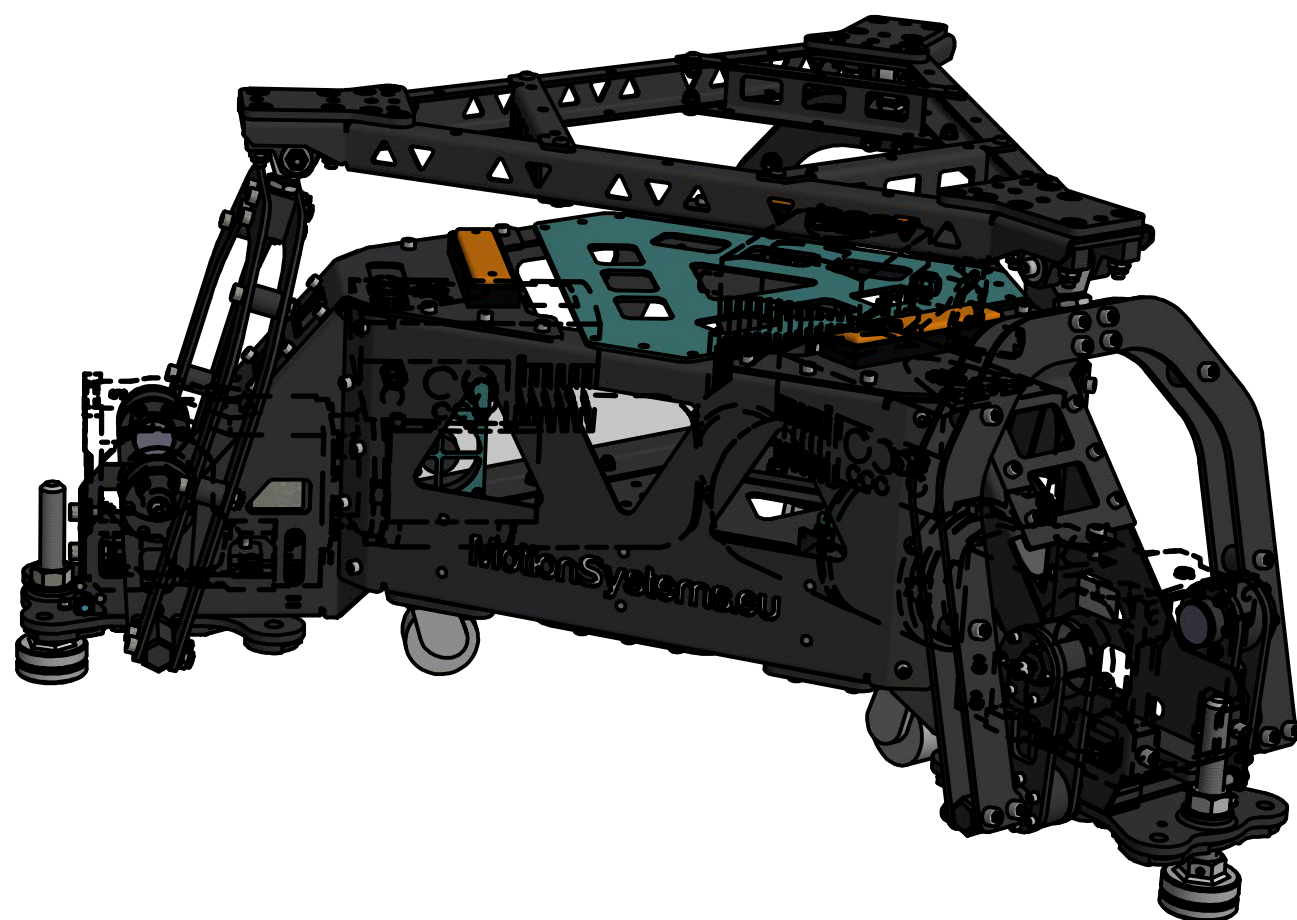


# Motion Systems

## Technical documentation for PS-3TM-350 General dimensions and attaching points

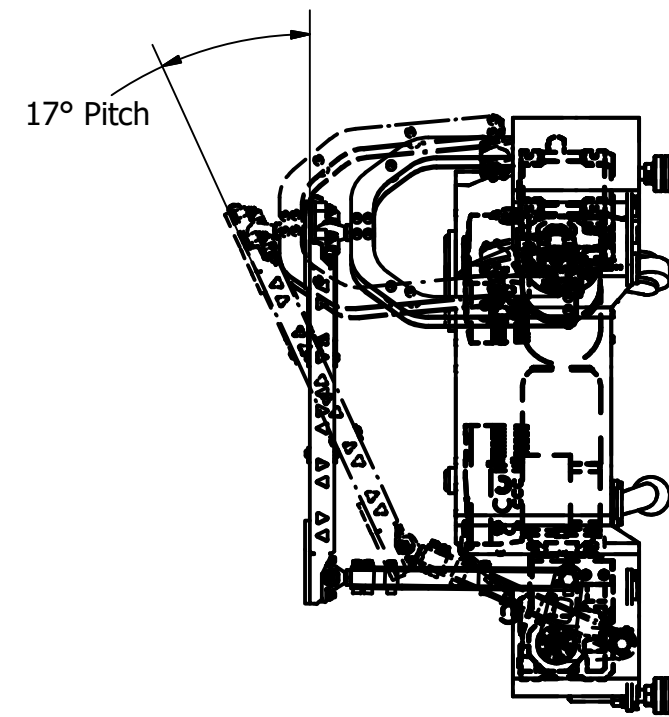
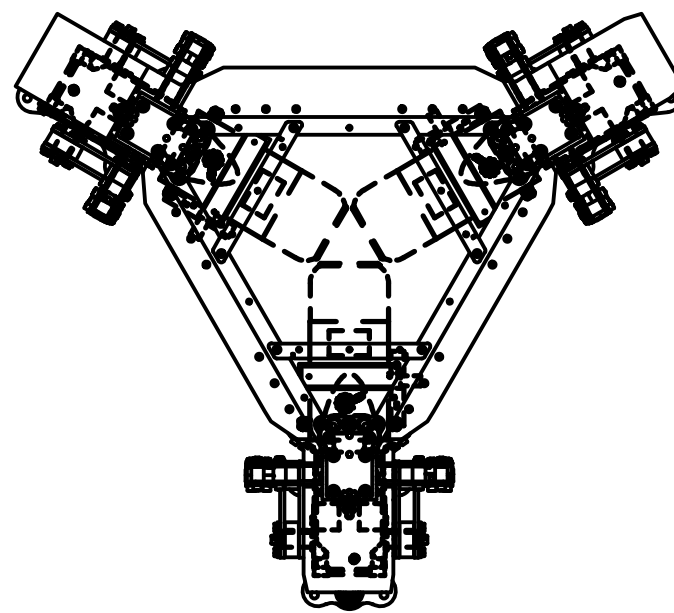
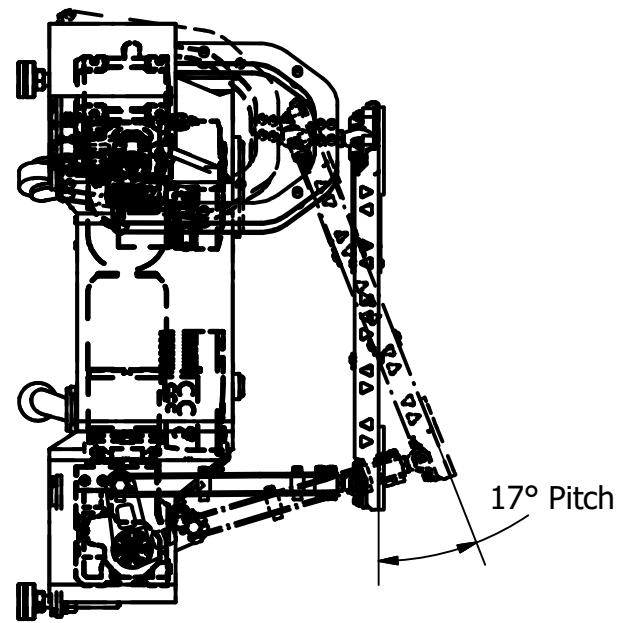


**RESERVED AND CONFIDENTIAL**

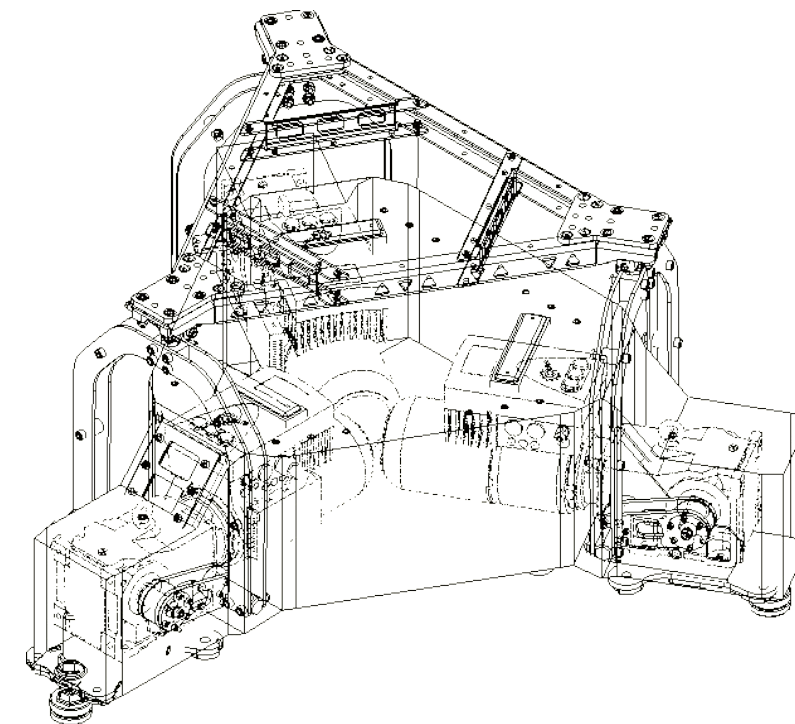
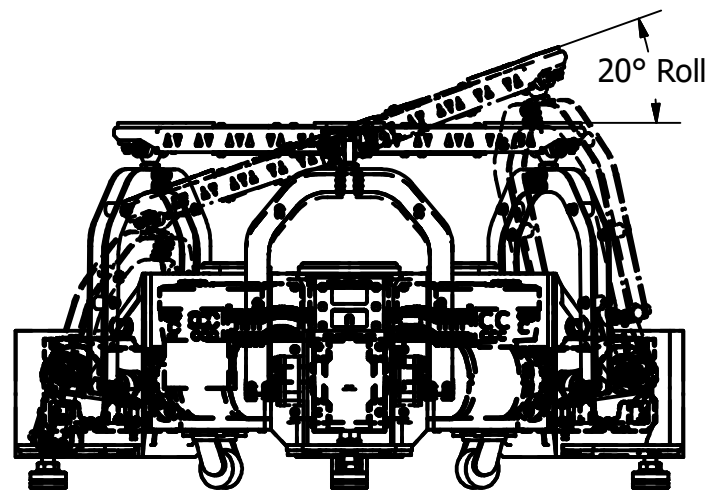
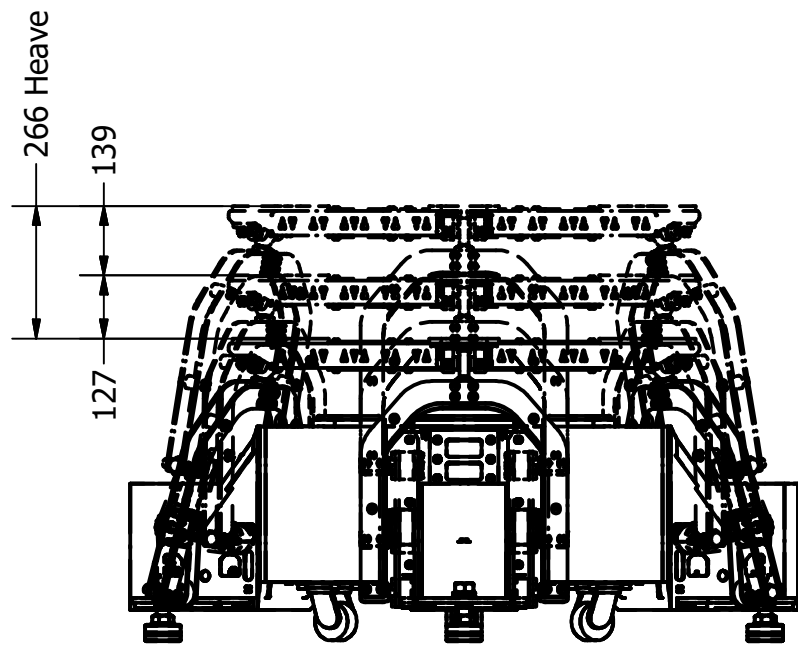
THE INFORMATION CONTAINED IN THIS DOCUMENTATION IS PROPERTY OF MOTION SYSTEMS COMPANY.  
ANY REPRODUCTION OF PARTS OR WHOLE WITHOUT WRITTEN PERMISSION IS PROHIBITED.

**ZATRZEŻONE I POUFNE**

INFORMACJE ZAWARTE W TEJ DOKUMENTACJI SĄ WŁASNOŚCIĄ FIRMY MOTION SYSTEMS.  
WSZELKIE REPRODUKCJE CZĘŚCI LUB CAŁOŚCI BEZ PISEMNEJ ZGODY SĄ ZABRONIONE.



SCALE 1 / 15

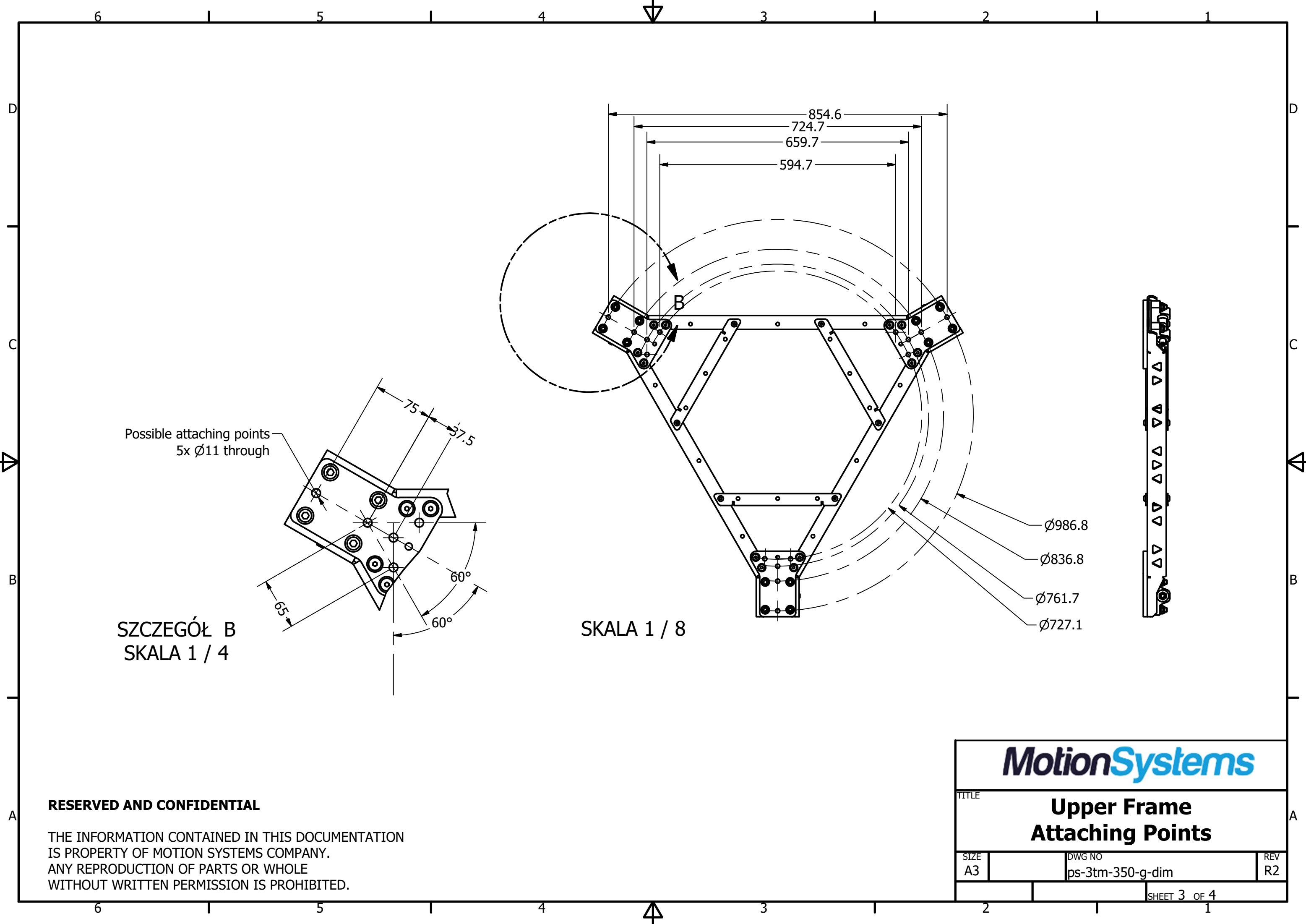


**RESERVED AND CONFIDENTIAL**

THE INFORMATION CONTAINED IN THIS DOCUMENTATION IS PROPERTY OF MOTION SYSTEMS COMPANY. ANY REPRODUCTION OF PARTS OR WHOLE WITHOUT WRITTEN PERMISSION IS PROHIBITED.

**MotionSystems**

|   |                  |     |
|---|------------------|-----|
| TITLE   |                  |     |
| <b>PS-3TM-350</b><br><b>MAX Independent Movements</b> |                  |     |
| SIZE  | DWG NO           | REV |
| A3  | ps-3tm-350-g-dim | R2  |
| SHEET 2 OF 4  |                  |     |



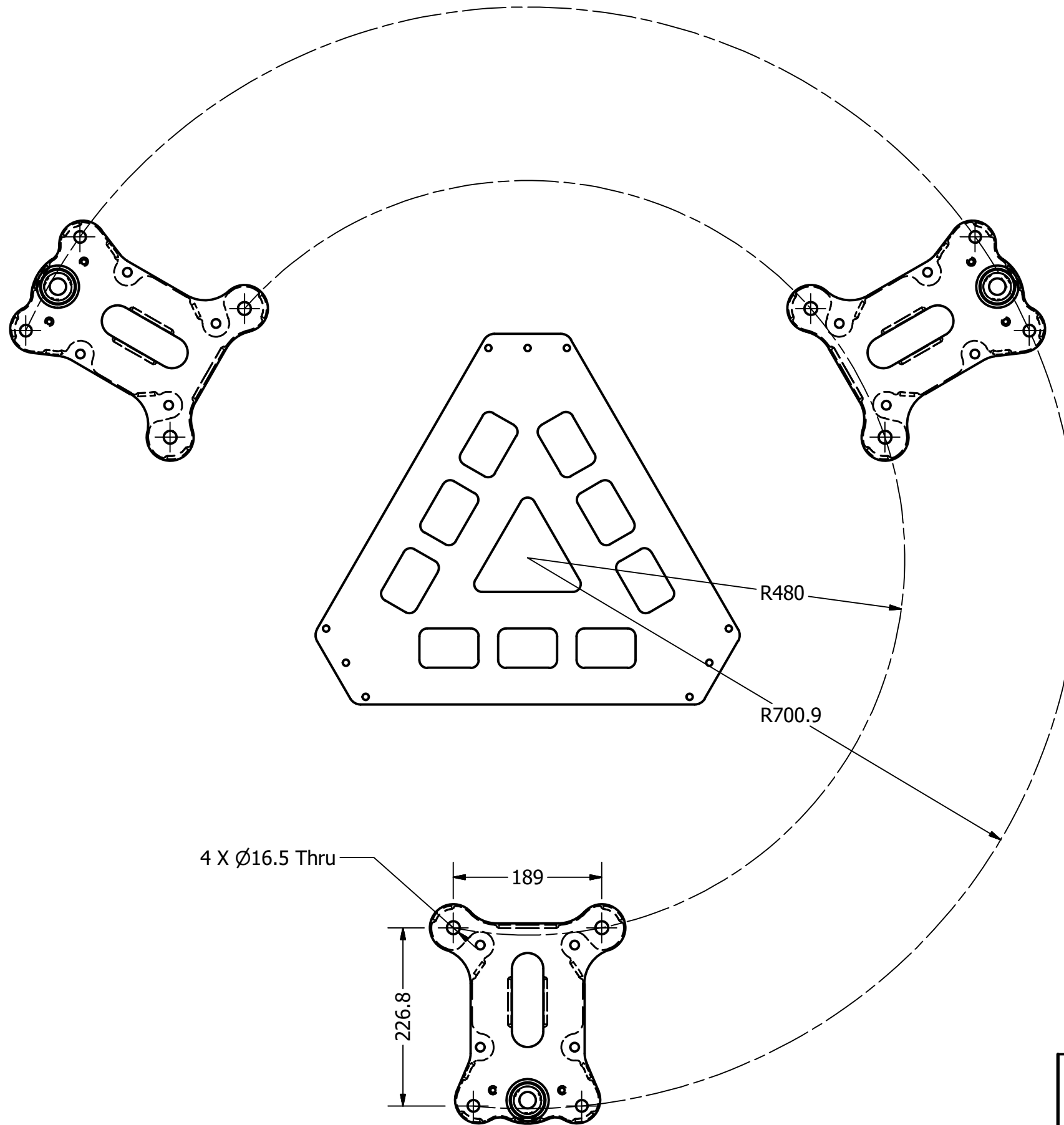
SZCZEGÓŁ B  
SKALA 1 / 4

SKALA 1 / 8

**RESERVED AND CONFIDENTIAL**

THE INFORMATION CONTAINED IN THIS DOCUMENTATION IS PROPERTY OF MOTION SYSTEMS COMPANY. ANY REPRODUCTION OF PARTS OR WHOLE WITHOUT WRITTEN PERMISSION IS PROHIBITED.

|  |                            |           |
|--|----------------------------|-----------|
| <b>MotionSystems</b>                             |                            |           |
| TITLE<br><b>Upper Frame<br/>Attaching Points</b> |                            |           |
| SIZE<br>A3                                       | DWG NO<br>ps-3tm-350-g-dim | REV<br>R2 |
| SHEET 3 OF 4                                     |                            |           |



**RESERVED AND CONFIDENTIAL**

THE INFORMATION CONTAINED IN THIS DOCUMENTATION IS PROPERTY OF MOTION SYSTEMS COMPANY. ANY REPRODUCTION OF PARTS OR WHOLE WITHOUT WRITTEN PERMISSION IS PROHIBITED.

SCALE 1 / 6

**MotionSystems**

|   |                  |     |
|---|------------------|-----|
| TITLE                                     |                  |     |
| <b>Bottom Plates<br/>Attaching Points</b> |                  |     |
| SIZE                                      | DWG NO           | REV |
| A3  | ps-3tm-350-g-dim | R2  |
| SHEET 4 OF 4                              |                  |     |